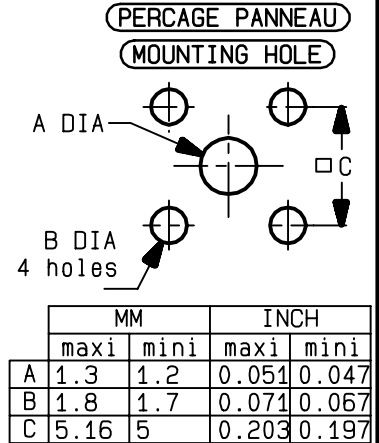
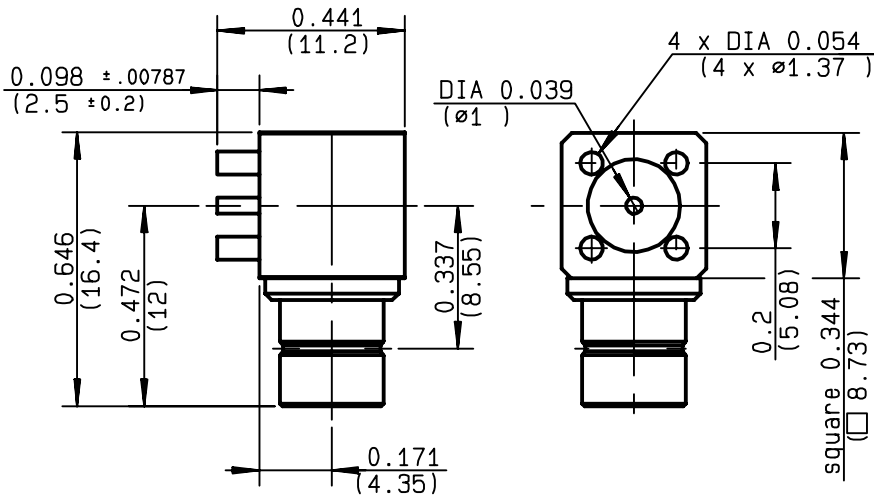


**RIGHT ANGLE PLUG RECEPTACLE FOR PCB
SOLDER LEGS**

R214.665.030
SERIES SMZ



NOMINAL IMPEDANCE	75 Ω
FREQUENCY RANGE	0-2.4 GHz
TEMPERATURE RATING	-55/+155 °C
V.S.W.R	NA + 0 x F(GHz)Maxi
RF INSERTION LOSS	NA √F(GHz) dB Maxi
VOLTAGE RATING	500 Veff Maxi
DIELECTRIC WITHSTANDING VOLTAGE	1500 Veff Mini
INSULATION RESISTANCE	500 MΩMini
HERMETIC SEAL	NA Atm.cm ³ /s
LEAKAGE (pressurized only)	NA
MECHANICAL DURABILITY	250 Cycles
WEIGHT	4.9 gr
SPECIFICATION	

CABLES :	
OTHERS CHARACTERISTICS	
CABLE RETENTION	NA N Mini
CENTER CONTACT RETENTION	
Axial force - mating end	10 N Mini
Axial force - opposite end	10 N Mini
Torque	NA cm.N Mini
RECOMMENDED TORQUES	
Mating	NA cm.N
Panel nut	NA cm.N
Clamp nut	NA cm.N

CONNECTOR PARTS	MATERIALS	FINISH	(all values are given in micrometers)
BODY	BRASS	GOLD 0.2 OVER NICKEL 2	
OUTER CONTACT			
CENTER CONTACT	BRASS	GOLD 1.3 OVER NICKEL 2	
INSULATOR	PTFE	-	
GASKET		-	
OTHERS PIECES			

ISSUE 9908A00	CREATION DATE 21/05/1996	FILE PART-NUMBER 96-0130-455
-------------------------	------------------------------------	--



FANJAT

The information given here is subject to change without notice.
Design changes may be in order to improve the product .

Connect to the future